



LELAS

ADVANCED TECHNOLOGY

201-202
Range

INTERCOMS



TCH 202

WATERPROOF
CALL MEMORY
ANTI-SHOCK
ROBUST MATERIALS
REMOTE DIAGNOSTIC



OPTION
HANDSET/HEADSET



COMMUNICATIONS UNDER HIGH PROTECTION
WWW.LELAS.FR | ☎ : +33(0)1 48 76 62 62



DESCRIPTION

■ Electrical characteristics :

Power supply voltage: 24, 48 or 230V
 Idle Consumption: 22mA
 Online consumption: 250mA
 Power Ring: 74 to 88dB

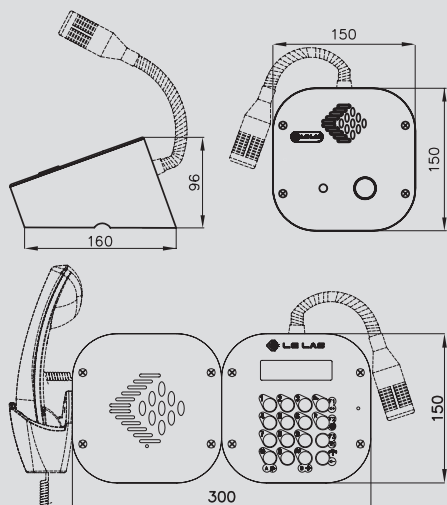
■ TCH 201 Series options :

1 or 5W loudspeaker
 2 points Wall mounted
 One button, two buttons
 Flexible microphone
 Handset
 48 and 230V power supply
 10 or 100 directions network
 IP 54 protected
 Colors on request

■ TCH 202 Series options :

1 or 5W loudspeaker
 2 points Wall mounted
 One button, two buttons
 Flexible microphone
 Handset
 Pre-recorded message broadcast
 48 and 230V power supply
 10 or 100 directions network
 IP 54 protected
 Colors on request

■ Dimensions :



INTERCOMS - 201/202 RANGE

After 15 years of existence, tested at any sites and in every configuration. The 153 series of desktops «Universal» is replaced by the 201/202 series.

More elegant, more compact, more durable, these intercoms are now available in desktop or wall mounted, with a range of 1W or 5W amp, powered from a central point and/or locally with 24, 48VDC or 230VAC.

They are used indiscriminately as: Intercom network, master station network, mesh network, wired in bus and/or star with a line of conversation, or new feature, five lines of communication with the addition of a central type TCT210P1U2.

These items retain all the 153 range fonctions : Individual Call, Group Call, general Call , dial memory, forward call , remote relay interface with all other materials in the LELAS range, recessed positions, ext. projecting position Heavy Duty composite or aluminum, 5W or 15W, clean room stations, ATEX post...

FEATURES

Material / Color: Aluminum / Black, White
 Handset Material / color: black polycarbonate
 Microphone: Electret type
 Speaker: 25Ω/1W 72dB at 1M to 91dB 50Ω/5W at 1M
 Wall mounting: 2 points
 Cable Type: 6 channels Telephone cable
 Dimensions: (201) 150x150x102 / (202) 300x150x102
 Weight: 1.2Kg to 3kg
 Shock protection index (IK): IK7
 Ambient temperature: -20 ° C/60 ° C

REFERENCES

SERIE 201 / 202 - TCH202P2C9 - EQUIPEMENT AND OPTIONS								
TCH	202	P	2	C9	Option	M	Option	Power Supply
				Call Button	LS	Micro		
MODEL TCH : Desk TLH : Wall mounted	BOX 201 : 1 Module 202 : 2 Modules	IP Index	Network 1:conference 2:uni2G	B : 1 Button D : 2 Buttons C9 : Display + Keyboard*	H: LS 1 W H5 : LS 5 W G : Handset	M: integrated X: Flexible	Network Size 10 (standard) T : 100 directions	24V (standard) CC : 48V CA : 230V

Also exist in telephone, VoIP telephone and SIP intercom



Conforms to the Standard CE



Certified quality ISO 9001 V2008

LE LAS - 34-36, rue Roger-Salengro - 94134 FONTENAY-SOUS-BOIS CEDEX - FRANCE
 Tél. : +33(0)1 48 76 62 62 - Fax : +33(0)1 48 76 83 04 - E-mail : lelas@lelas.fr - WebSite : www.lelas.fr