

# TLH 214/344

## HIGH POWER SIGNAL UNITS

SUB-STATIONS / universel



**ROBUSTE**  
**WEATHERPROOF**  
**EXPLOSIONPROOF**  
**HIGH VOLUME ADJUSTABLE**  
**REMOTE CONTROL**



**LE LAS**

**LE LAS**

**LE LAS**

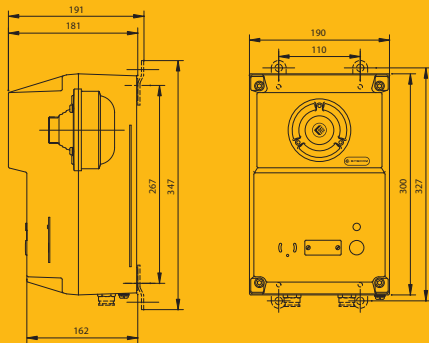
[www.lelas.fr](http://www.lelas.fr)  
+33 (0)1 48 76 62 62



## DESCRIPTION

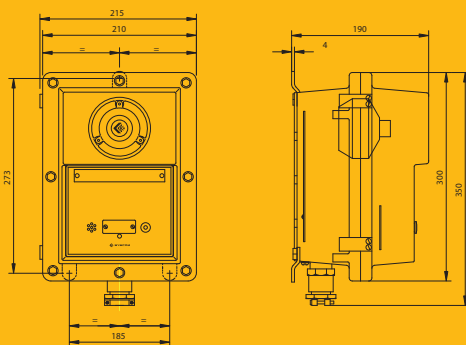
### Type 344: Weatherproof model

- Robust cast aluminium enclosure protected by epikote paint, closed by hollow hexagonal stainless-steel screws set.
- Weatherproofing assured by joint. Delivered with cable-entry gland set.



### Type 214: Explosionproof model

- Robust enclosure in cast aluminium, with hinged front-section, closed by hollow hexagonal stainless-steel screw set, weatherproofing assured by flat joints. Delivered with 1 cable entry, diameter 5 (mm) -12 (max).



INTERCOMS/SUB-STATIONS/universal/uni2g Series UNIVERSAL intercom stations have for many years gained LE LAS and SYSCOM an enviable reputation. The new versions reinforce their prime qualities: robustness, power, reliability and improved user friendliness and compatibility, they offer increased functionality. Available in weatherproof and explosionproof versions, in exceptionally robust enclosures these intercoms have a very powerful output. They assure at all circumstances communication at all sites even the most exposed.

Communication quality with high protection

Every unit is equipped with its own electronic processing and amplification card guarantees the safety and reliability of these units:

- 15 Watts compression-chamber motor.
- Protected electret microphone and its call button.
- Call mechanism by lit button indicating the busy status of the network.
- Call reception by ringing with programmable automatic connection to line.
- Automatic call/listen balance.

This type of intercom offers also choice of a simplified electronics model (this for network usage conference type: one station calls others, or "DIGICOM type: connection to a 30 or 100-way switch).

Power supply: 24' - 48V (can be set to via local power unit, or by central power supply).

Variety of peripheral unit:

- Power extension for attachment of loudspeakers whether or not link.
- DTMF remote control card for door-entry, machine start-up, camera, etc.

## CHARACTERISTICS

- Weatherproof or explosionproof enclosure, in moulded aluminium and protected.
- Electronic volume card running a high-resistance weatherproof 15 Watts compressionchamber motor and generating an output volume of 1 05(Ex) - 110 dB.
- The output volume is adjustable locally or remotely adjustable from the Master Station.
- Electrical consumption: 500 mA.
- Compatible with 9 or 99 station network.
- This entire unit is protected in its weatherproof enclosure.
- The program of the different uses can be downline loaded by the user, n° of station, address of Master Station, etc. Thanks to the internal microprocessor, all configurations are possible from a single-pair bus connection.
- Weatherproof call button, shielded and lit, indicating the status of the network.
- Protected electret microphone.

REFERENCE	
TLH 344 E1G	Weatherproof station 15 Watts 1P66
TLH 214 A1G	Explosionproof station 15 Watts EEXdIIIBT6
BAT 376 E1A48	Weatherproof power supply 1A
BAT 226 A1A48	Explosionproof power supply EEXdIIIBT6 1A
AMP 342 E1G	Public Address enclosure weatherproof 15 Watts
AMP 226 A1G	Public Address enclosure explosionproof 15 Watts

Due to the constant desire to improve the quality of our products, we reserve the right to make modifications at any time.



Conform to the CE normalisation



**SYSCOM**